

**11,000 lbs.  
Two Post  
Direct Drive  
Clear Floor  
Bi-Symmetric™ Lift**

Engineered and built to offer great features at an economical price, the 11000C-DX features and designs will make this the most used lift in your garage. With versatile user-friendly *Bi-Symmetric™* configurable arms, 3 Stage Front Arms, Symmetric Columns, Single Point Lock Release, Low Profile Arms, Rubber Door Guards and Spin Up Pads with 2" and 4" Stackable Truck Adapters offers everything you'd expect and more!

**11000C-DX**  
Clear Floor  
Bi-Symmetric™ Lift



## **Specifications**

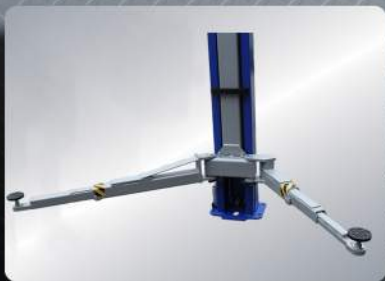
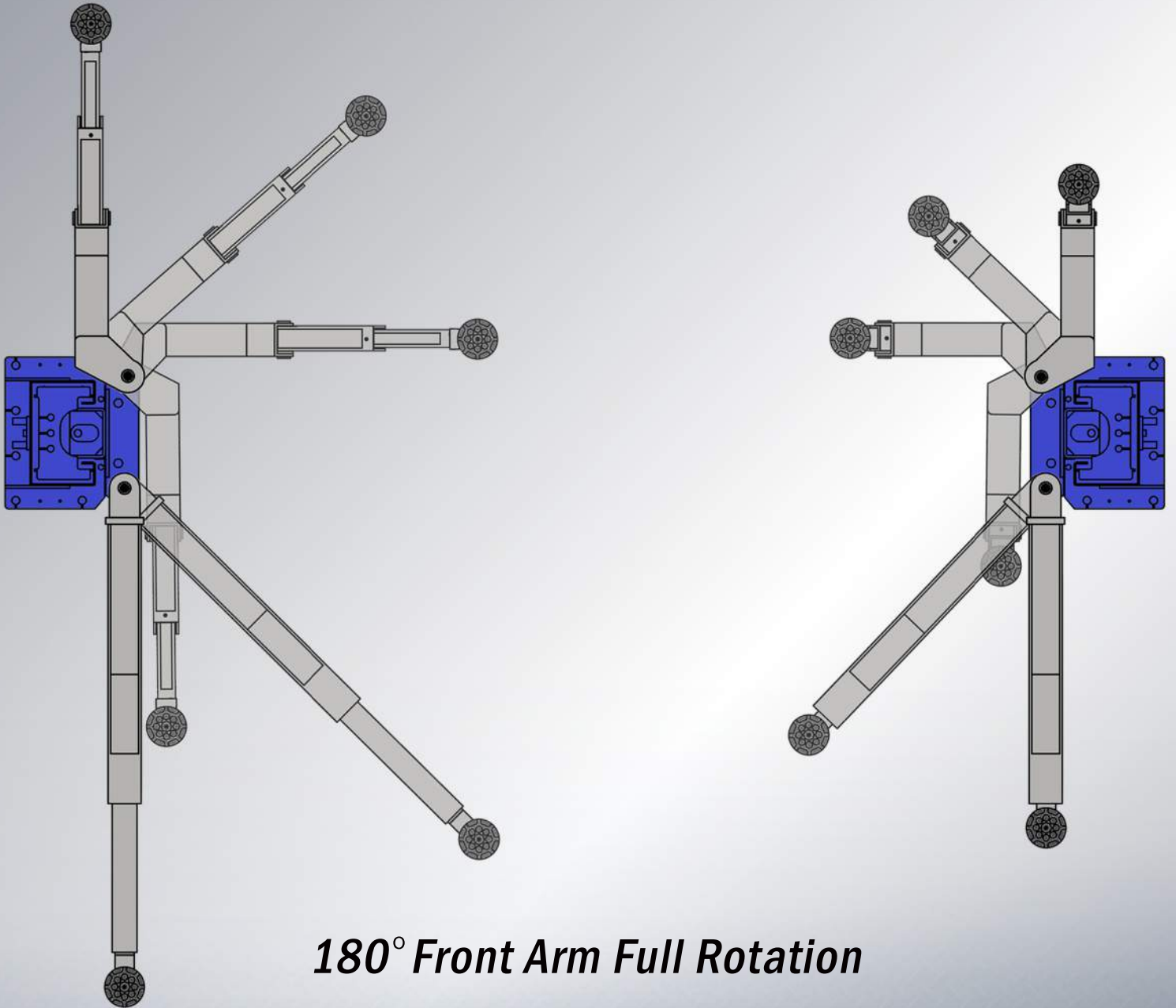
• Capacity	11,000 lbs.
• Height Overall	144"
• Width Overall w/Power Unit	145-1/2"
• Max. Lift Height	71"
• Min. Pad Height	4"
• Width Between Columns	116"
• Drive Thru Clearance	104"
• Lifting Speed	50S
• Power	220V-20Amp-1PH
• Ship Weight	1,705lbs

## **Features**

- 11,000 lb. lifting capacity
- Direct Drive
- 3 Stage Front Arms
- Asymmetric/ Symmetric Arm Configuration
- Symmetric Columns
- Single Point Lock Release
- Low Profile Arms
- Rubber Door Guards
- Spin Up Pads with Stackable Truck Adapters included 2" and 4"

# **Bi-Symmetric™**

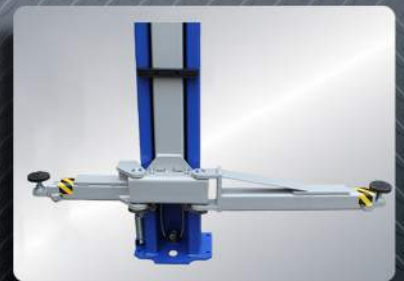
## **Asymmetric or Symmetric Configuration**



3 Stage Front Arms and  
2 Stage Rear Arms



Rubber Door Guards and Spin Up  
Pads with Stackable Adapters



180° Front  
Arm Rotation