

The SPL-6 is our newest single post parking lift. This lift combines AMGO high quality with space saving design and easy operation. The SPL-6 is great fit for home garages and commercial shops. .

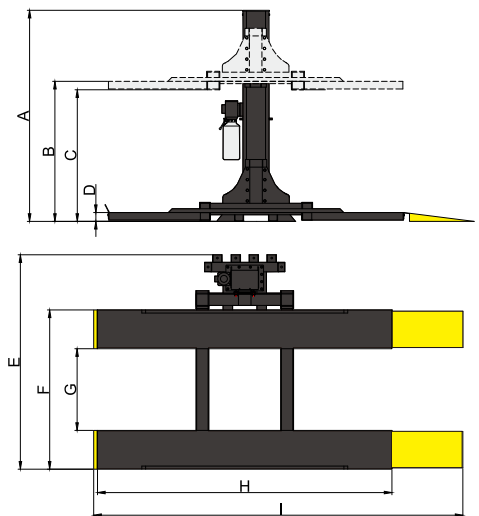


MODEL SPL-6

SINGLE POST PARKING LIFT

FEATURES

- 6,000 lbs lifting capacity
- Manual safety lock release
- Non slip lifting platform
- H-shaped lifting platform with reinforced column
- Low post height for low ceilings
- Suitable for home garages and commercial applications
- Reversible Drive in ramps (drive in from either side)
- ETL certified power unit
- AMGO 5-3-2 Warranty



SPECIFICATIONS

Model	Lifting Capacity	Lifting Time	A	B	C	D	E	F	G	H	I	Gross Weight	Motor
			Overall Height	Max. Lifting Height	Max. Underneath Height	Minimum Height	Overall Width	Outside Edge of Runways	Width Between Runways	Platform Length	Overall Length		
SPL-6	6000lbs	84S 32S	108 7/8" (2766mm)	74" (1880mm)	69 1/4" (1760mm)	6 3/8" (160mm)	111" (2820mm)	82 3/8" (2093mm)	42 3/8" (1077mm)	152" (3860mm)	192 1/8" (4880mm)	2,725lbs (1235kg)	1.0HP/110V 2.0HP/220V

AMGO HYDRAULIC CORPORATION

www.amgohyd.com

SC Division: 1931 Joe Rogers Jr Blvd, Manning, SC 29102, USA
Tel: (803) 505-6410

TX Division: 4310 Adler, Suite 200, Dallas, TX 75211, USA