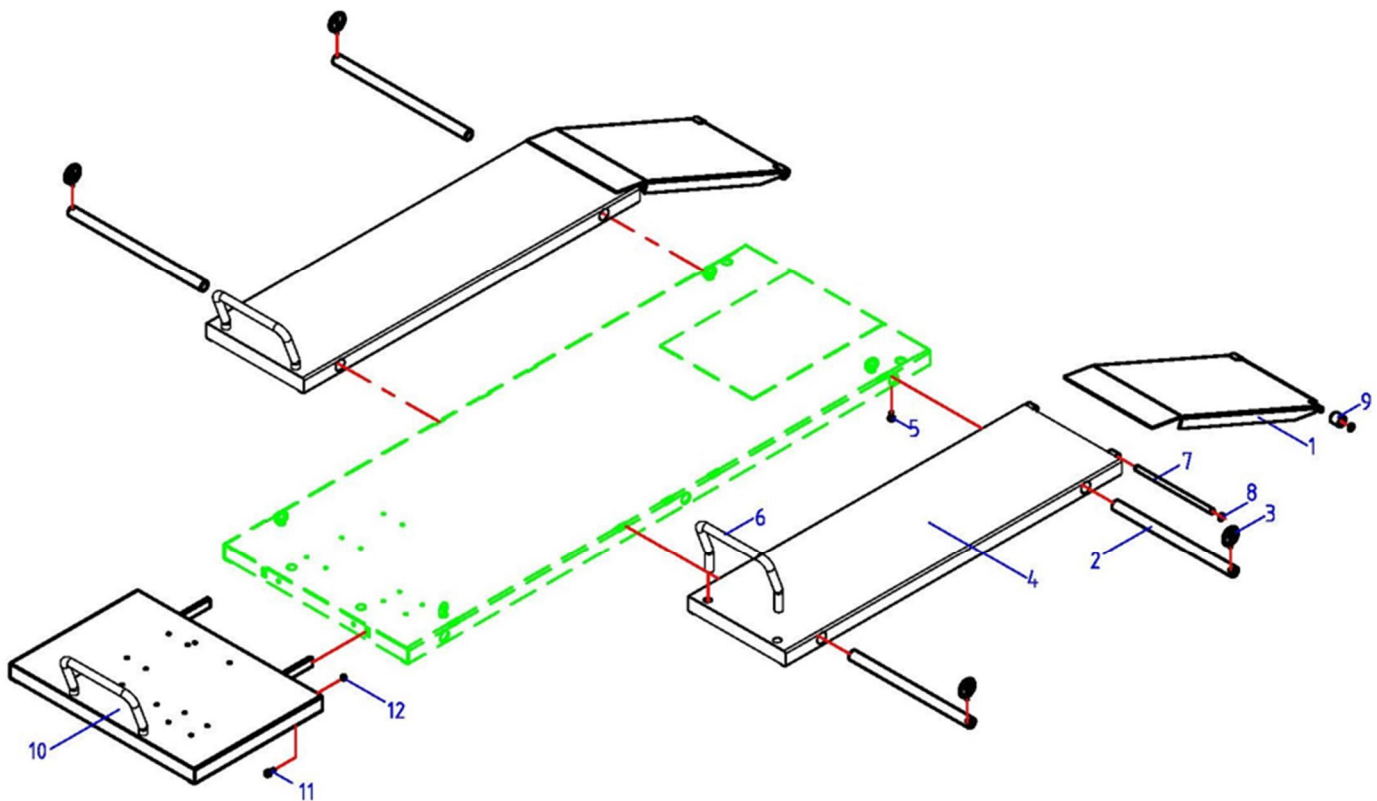




A Division of **TUXEDO** Distributors, LLC.

# TRIKE-XR Kit (#TRIKEKIT-2200IEH-XR)

## 1. Exploded Drawing



## 2. Installation

1. Insert Side Extension Support Rods (2) to outside of Platform and secure with Wing Bolts (5).
2. Once Rods are secured to Platform, install the Side Extensions (4) and secure each end with Ring Clips (3).

***Note: Ensure to correctly install Side Extensions with holes for Wheel Stops positioned towards front of lift.***

3. Install Pivot Ramps (1) to the rear of each Side Extension using Pins (7) & Circlips (8).
4. Insert Wheel Stop Bars (6) to the front of each Side Extension.
5. Insert Front Extension Panel (10) to front of Platform and secure with Bolt (11) & Nut (12).

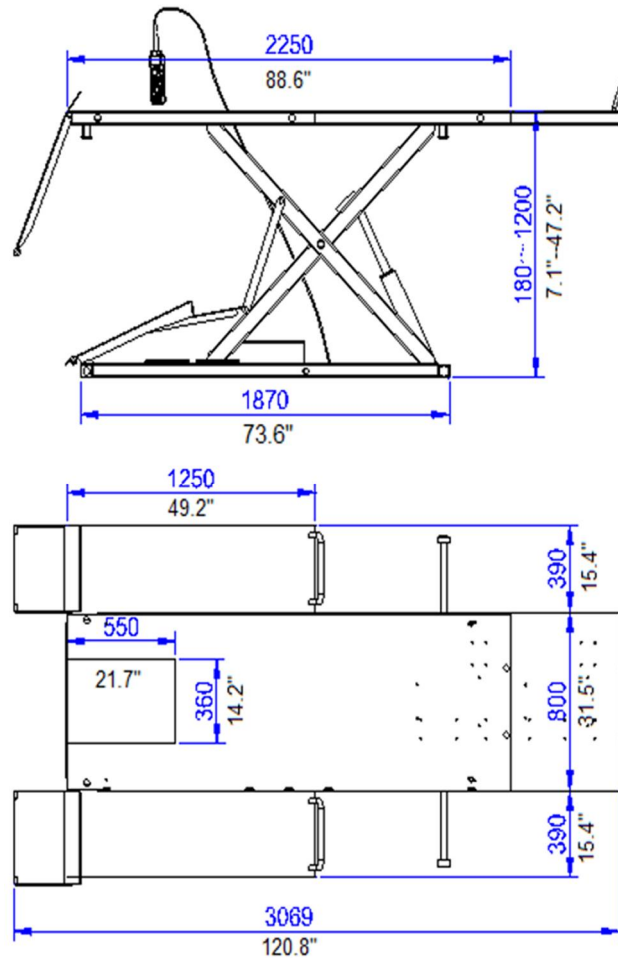
## 3. Parts List

ITEM		M-Ref P/N	DESCRIPTION	QTY
1	TK-2200IEH-XR-001	JP23-32000-PB8	Pivot Ramp, TRIKE-XR	2
2	TK-2200IEH-XR-002	JP23-03001-PB3	Support Rod, TRIKE	4
3	TK-2200IEH-XR-003	JP04-00005-000	Ring Clip	4
4	TK-2200IEH-XR-004	JP23-03100-PB8	Side Extension Panel, TRIKE-XR	2
5	TK-2200IEH-XR-005	5121-10016-000	Wing Bolt, M12 x 16mm	4
6	TK-2200IEH-XR-006	JP17-00011-000	MC / UTV Wheel Stop	2
7	TK-2200IEH-XR-007	JP23-08001-PB8	Ramp Pivot Pin, TRIKE-XR	2
8	TK-2200IEH-XR-008	5304-00016-000	Circlip, D16	8
9	TK-2200IEH-XR-009	JP25-00004-000	Nylon Ramp Wheel	4
10	TK-2200IEH-XR-010	JP23-07000-JC1	Front Extension Panel	1
11	TK-2200IEH-XR-011	5117-10025-000	Bolt, M10 x 25mm	2
12	TK-2200IEH-XR-012	5202-00008-000	Nut, M10	2

## 4. Product Specifications (M-2200IEH-XR + TRIKEKIT-2200IEH-XR)

Capacity:	2,200 lbs.(1000 kg)
Lifting Height, Max:	47.2+(1200 mm)
Height, Min:	7+(180 mm)
Width Overall:	62.2+(1580 mm)
Length Overall:	138.2+(3511 mm) - Fully Lowered
Platform Length:	88.6+(2250 mm)
Platform Width:	62.2+(1580 mm)
Power Supply:	110V, 60Hz, 1 Phase,18A
Lifting Time:	30 S
Lowering Time:	30 S
Gross Weight:	311 lbs. (Kit)

## 5. Product Dimensions



## **LIMITED WARRANTY**

### **Structural Warranty:**

The following parts and structural components carry a five year warranty:

Columns	Arms	Uprights	Swivel Pins Legs	Carriages	Overhead Beam
Tracks	Cross Rails	Top Rail Beam			

### **Limited One-Year Warranty:**

Tuxedo Distributors, LLC (iDEAL) offers a limited one-year warranty to the original purchaser of Lifts and Wheel Service equipment in the United States and Canada. Tuxedo will replace, without charge, any part found defective in materials or workmanship under normal use, for a period of one year after purchase. The purchaser is responsible for all shipping charges. This warranty does not apply to equipment that has been improperly installed or altered or that has not been operated or maintained according to specifications.

### **Other Limitations:**

This warranty does not cover:

1. Parts needed for normal maintenance
2. Wear parts, including but not limited to cables, slider blocks, chains, rubber pads and pulleys
3. Replacement of lift and tire changer cylinders after the first 30 days. A seal kit and installation instructions will be sent for repairs thereafter.
4. On-site labor

Upon receipt, the customer must visually inspect the equipment for any potential freight damage before signing clear on the shipping receipt. Freight damage is not considered a warranty issue and therefore must be noted for any potential recovery with the shipping company.

The customer is required to notify Tuxedo of any missing parts within 72 hours. Timely notification must be received to be covered under warranty.

Tuxedo will replace any defective part under warranty at no charge as soon as such parts become available from the manufacturer. No guarantee is given as to the immediate availability of replacement parts.

Tuxedo reserves the right to make improvements and/or design changes to its lifts without any obligation to previously sold, assembled or fabricated equipment.

There is no other express warranty on the Tuxedo lifts and this warranty is exclusive of and in lieu of all other warranties, expressed or implied, including all warranties of merchantability and fitness for a particular purpose. To the fullest extent allowed by law, Tuxedo shall not be liable for loss of use, cost of cover, lost profits, inconvenience, lost time, commercial loss or other incidental or consequential damages.

This Limited Warranty is granted to the original purchaser only and is not transferable or assignable.

Some states do not allow exclusion or limitation of consequential damages or how long an implied warranty lasts, so the above limitations and exclusions may not apply. This warranty gives you specific legal rights and you may have other rights, which may vary from state to state.

8320 E Hwy 67, Alvarado, TX 76009  
Ph. 817-558-9337 / Fax 817-558-9740