



MODEL 837 - 50 TON AIR/HYDRAULIC FLOOR PRESS

UPDATED 3/06

PART ORDER NUMBER	KIT DESCRIPTION	KIT INCLUDES	
		REF. #	DESCRIPTION
837AK8	ARBOR PLATE SET	23	ARBOR PLATES (2)
837AK9	TABLE PIN SET	9	PRESS TABLE PINS (2)
837K10	PUMP ASSEMBLY	10	PUMP ASSEMBLY
837K11	PRESSURE HOSE	11	PRESSURE HOSE PUMP to RAM
837K17	GAUGE	17	GAUGE
837K22	RAM ASSEMBLY	22	RAM ASSEMBLY
837K29	WINCH	29	WINCH COMPLETE
837K40	AIRVALVE	40	AIR VALVE
837K64	PUMP HANDLE	64	PUMP HANDLE
837KRK	REPAIR KIT	43	O-RING 7.5 X 1.8
		44	TRIANGLE VALVE
		45	SPRING
		46	ADJUSTABLE PRESSURE SCREW
		47	COPPER WASHER
		48	SCREW CAP
		49	BOLT (4) REQUIRED
		50	O-RING (4) REQUIRED
		51	SPRING (2) REQUIRED
		52	STEEL BALL SIZE 8 (5) REQUIRED
		54	O-RING 12.5 X 2.65
		55	SPRING
		57	O-RING
		58	NYLON WASHER
		59	O-RING
		67	O-RING (2) REQUIRED
		68	COPPER WASHER
		84	PISTON SEAL RING
		85	O-RING
		89	O-RING 80 X 7
		91	O-RING 63 X 5
		96	STEEL BALL SIZE 5
		98	LIMIT COPPER WASHER
		100	O-RING 7.5 X 1.8 (2) REQUIRED

*** ONLY PARTS WITH A "PART ORDER NUMBER" ARE AVAILABLE FOR SALE**

DO NOT COPY OR DISTRIBUTE THIS MATERIAL WITHOUT PERMISSION OF AFF, INC.



MODEL 837 - 50 TON AIR/HYDRAULIC FLOOR PRESS

UPDATED 3/06

PART ORDER NUMBER	KIT DESCRIPTION	KIT INCLUDES	
		REF. #	DESCRIPTION
837K69	MOTOR COMPLETE	69	AIR MOTOR COMPLETE
837K83	SPRING	83	EXTENSION SPRING (2)
837K93	PRESS HEAD	93	PRESS HEAD
837KHW	HARDWARE KIT	2	SCREW M12X45
		3	NUT M12
		4	SPRING WASHER M12
NOT AVAILABLE SEPARATELY		1	SPREADER (2)
NOT AVAILABLE SEPARATELY		5	BASE SUPPORT
NOT AVAILABLE SEPARATELY		6	PRESS TABLE
NOT AVAILABLE SEPARATELY		7	VICE WHEEL SHAFT ASM.
NOT AVAILABLE SEPARATELY		8	UPRIGHT
NOT AVAILABLE SEPARATELY		11	RUBBER PIPE ASM.
NOT AVAILABLE SEPARATELY		13	OIL PIPE
NOT AVAILABLE SEPARATELY		14	BOLT M24 X 55
NOT AVAILABLE SEPARATELY		15	NUT M24
NOT AVAILABLE SEPARATELY		16	SPRING WASHER 24
NOT AVAILABLE SEPARATELY		18	JACK RING HEADER
NOT AVAILABLE SEPARATELY		19	SCREW M20 X 70
NOT AVAILABLE SEPARATELY		20	SPRING WASHER 20
NOT AVAILABLE SEPARATELY		21	NUT M20
NOT AVAILABLE SEPARATELY		24	WIRE ROPE
NOT AVAILABLE SEPARATELY		25	SCREW M12 X 25
NOT AVAILABLE SEPARATELY		26	SCREW M8 X 30
NOT AVAILABLE SEPARATELY		27	NUT M8
NOT AVAILABLE SEPARATELY		28	WASHER
NOT AVAILABLE SEPARATELY		30	MAIN WHEEL SHAFT ASSEMBLY
NOT AVAILABLE SEPARATELY		31	PULL ROD
NOT AVAILABLE SEPARATELY		32	BUSH
NOT AVAILABLE SEPARATELY		33	WASHER M12
NOT AVAILABLE SEPARATELY		34	NUT M30 X 1.5
NOT AVAILABLE SEPARATELY		35	TUBE SPLICE
NOT AVAILABLE SEPARATELY		36	OIL PIPE HOOK
NOT AVAILABLE SEPARATELY		37	BOLT
NOT AVAILABLE SEPARATELY		38	SPRING
NOT AVAILABLE SEPARATELY		39	CLAMP
NOT AVAILABLE SEPARATELY		41	SEE REFERENCE # 10
NOT AVAILABLE SEPARATELY		42	FILL PLUG
NOT AVAILABLE SEPARATELY		44	TRIANGLE VALVE

* ONLY PARTS WITH A "PART ORDER NUMBER" ARE AVAILABLE FOR SALE.

DO NOT COPY OR DISTRIBUTE THIS MATERIAL WITHOUT PERMISSION OF AFF, INC.



MODEL 837 - 50 TON AIR/HYDRAULIC FLOOR PRESS

UPDATED 3/06

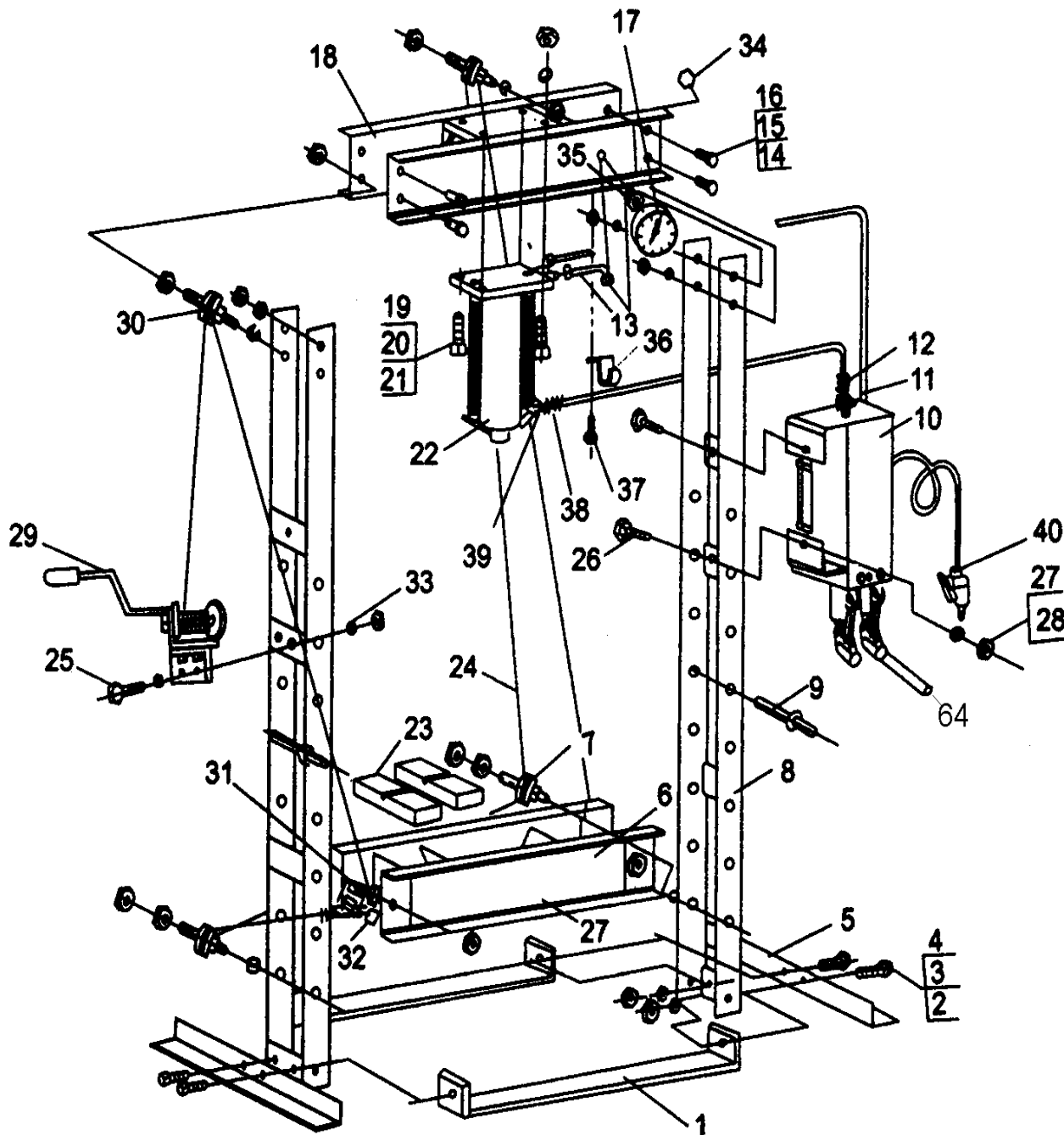
PART		KIT INCLUDES	
ORDER NUMBER	KIT DESCRIPTION	REF. #	DESCRIPTION
NOT AVAILABLE SEPARATELY		53	RIGRT ANGLE PLUG
NOT AVAILABLE SEPARATELY		56	BACK OIL VALVE
NOT AVAILABLE SEPARATELY		60	CONNECT ROD
NOT AVAILABLE SEPARATELY		61	SMALL PUMP CORE
NOT AVAILABLE SEPARATELY		62	HANDLE SOCKET
NOT AVAILABLE SEPARATELY		63	SPLIT PIN
NOT AVAILABLE SEPARATELY		65	PUMP CORE PIN
NOT AVAILABLE SEPARATELY		66	BIG PUMP CORE
NOT AVAILABLE SEPARATELY		70	VENT VALVE
NOT AVAILABLE SEPARATELY		71	OIL TUBE CONNECTOR
NOT AVAILABLE SEPARATELY		81	EXTENSION SPRING BOLT
NOT AVAILABLE SEPARATELY		82	CYLINDER
NOT AVAILABLE SEPARATELY		83	EXTENSION SPRING
NOT AVAILABLE SEPARATELY		86	PISTON HEAD
NOT AVAILABLE SEPARATELY		87	PISTO ROD
NOT AVAILABLE SEPARATELY		88	SCREW LOCKIN M8 X 10
NOT AVAILABLE SEPARATELY		90	GUIDE SLEVE
NOT AVAILABLE SEPARATELY		92	SPRING PLATE
NOT AVAILABLE SEPARATELY		94	BACKING OIL BOLT
NOT AVAILABLE SEPARATELY		95	LIMIT CROSS BAR
NOT AVAILABLE SEPARATELY		97	PRESS LIMIT SPRING
NOT AVAILABLE SEPARATELY		99	BACK-OIL-PIPING CONNECTOR
NOT AVAILABLE SEPARATELY		101	PRESSURE GUAGE CONNECTOR
NOT AVAILABLE SEPARATELY		102	OIL-TUBE CONNECTOR

*** ONLY PARTS WITH A "PART ORDER NUMBER" ARE AVAILABLE FOR SALE**

DO NOT COPY OR DISTRIBUTE THIS MATERIAL WITHOUT PERMISSION OF AFF, INC.



MODEL 837 - 50 TON AIR/HYDRAULIC FLOOR PRESS

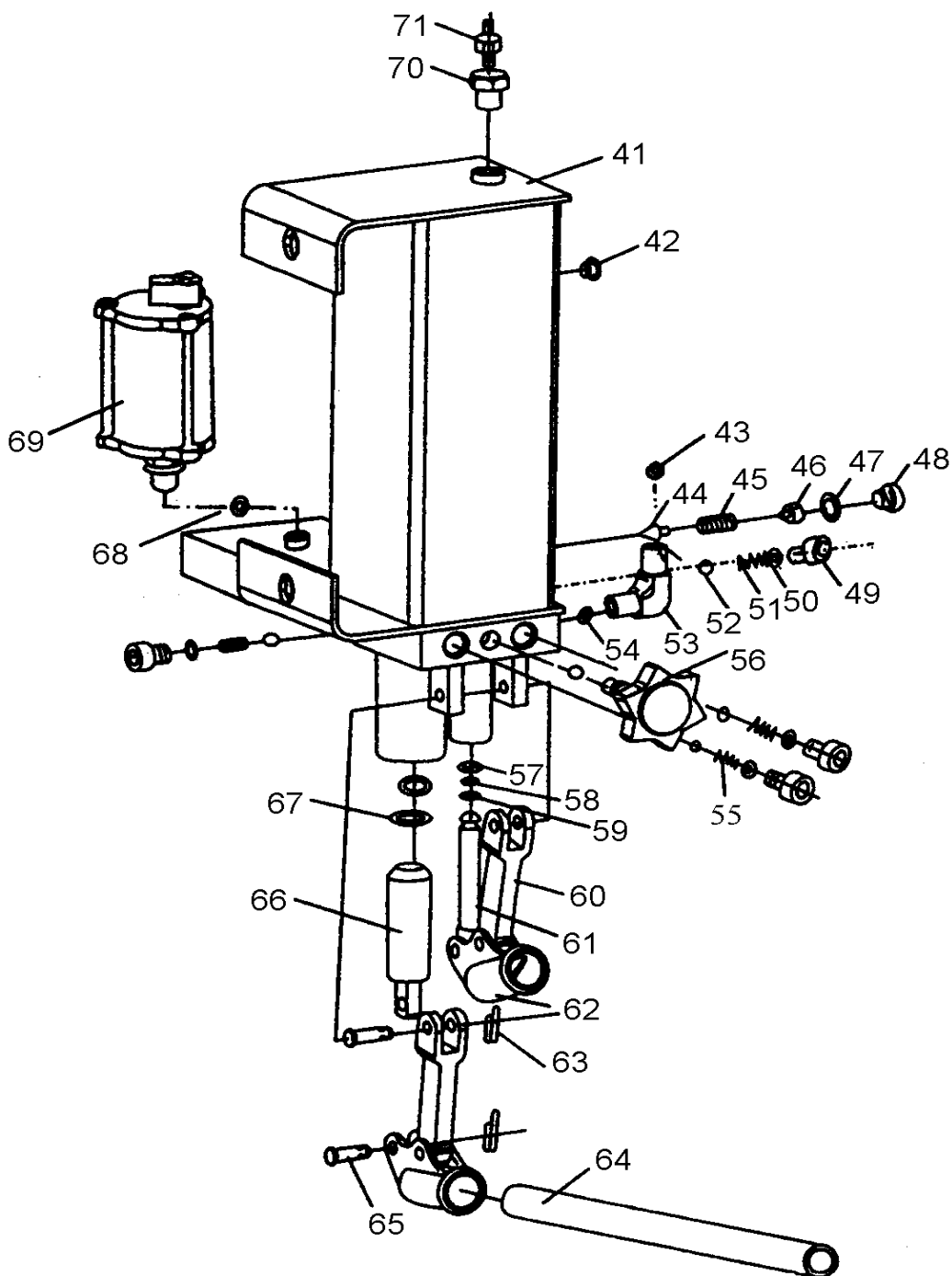


* ONLY PARTS WITH A "PART ORDER NUMBER" ARE AVAILABLE FOR SALE

DO NOT COPY OR DISTRIBUTE THIS MATERIAL WITHOUT PERMISSION OF AFF, INC.



MODEL 837 - 50 TON AIR/HYDRAULIC FLOOR PRESS

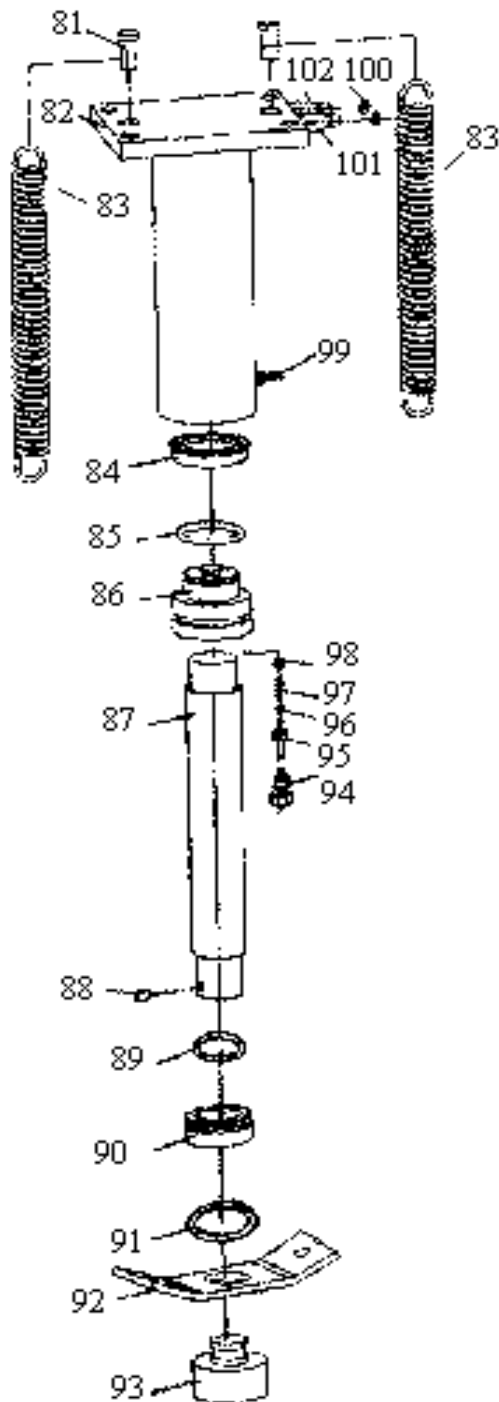


* ONLY PARTS WITH A "PART ORDER NUMBER" ARE AVAILABLE FOR SALE

DO NOT COPY OR DISTRIBUTE THIS MATERIAL WITHOUT PERMISSION OF AFF, INC.



MODEL 837 - 50 TON AIR/HYDRAULIC FLOOR PRESS



* ONLY PARTS WITH A "PART ORDER NUMBER" ARE AVAILABLE FOR SALE.

DO NOT COPY OR DISTRIBUTE THIS MATERIAL WITHOUT PERMISSION OF AFF, INC.